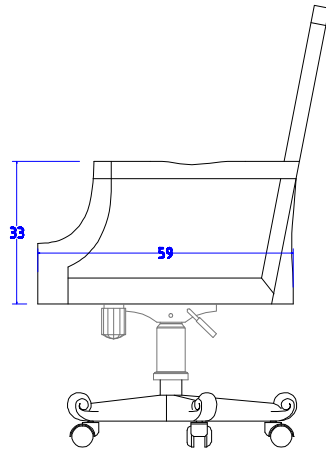


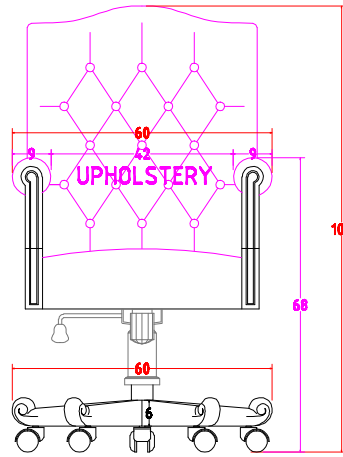
FRAME FRONT VIEW

SCALE 1/10



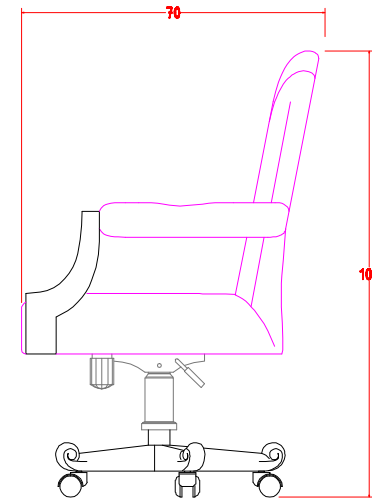
FRAME SIDE VIEW

SCALE 1/10



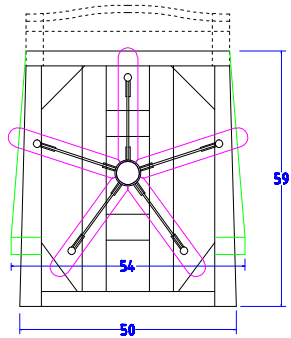
FRONT VIEW

SCALE 1/10



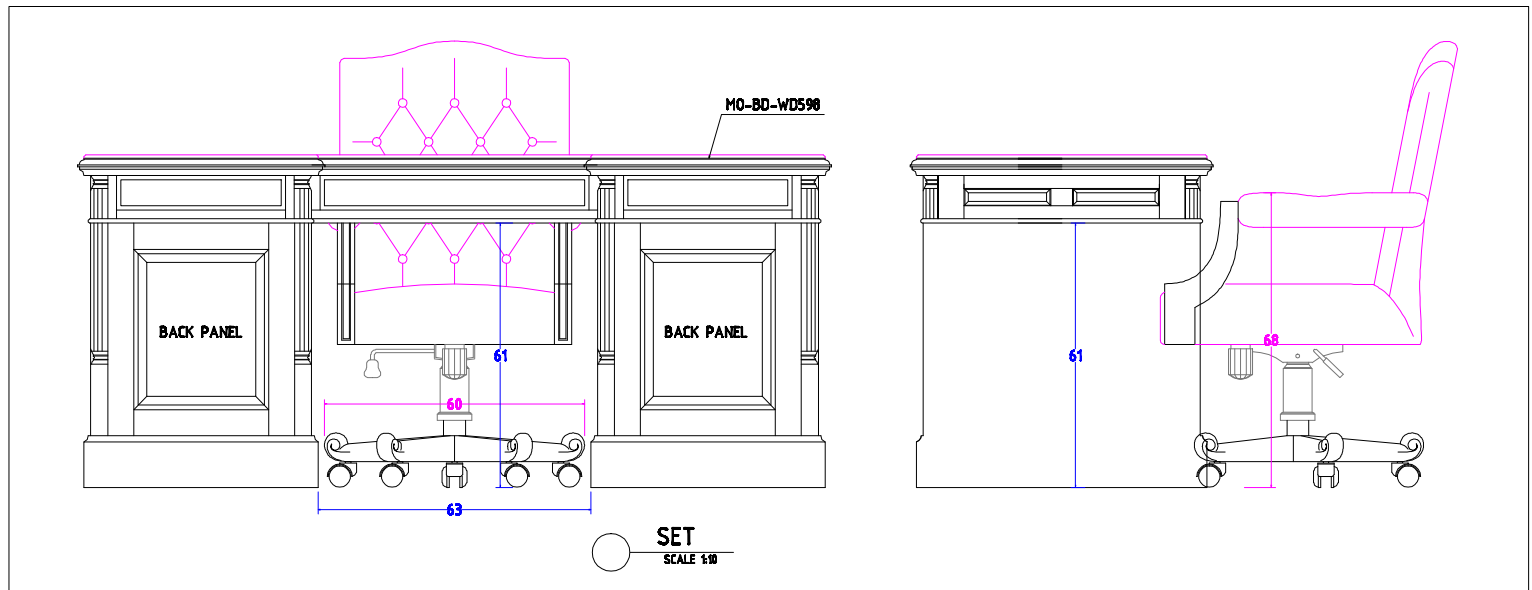
SIDE VIEW

SCALE 1/10



FRAME TOP VIEW

SCALE 1/10



CUST. REF : GI38/AK1232
SPO : 13105.325 ZiB
CODE : MO-AP-CR546
DESCRIPTION :
ISSUE : B
SIZE : H. 103 X W. 60 X D. 70
COLOUR : LTB
BASE ON : CR44
DRAWN BY : HNR
DATE : 09 - 06 - 2020